

## LIVING



### 816436

Washbasin, also usable as double washbasin

#### Dimensions

Length: 51 3/16 inch  
 Width: 18 14/16 inch  
 Height: 1 9/16 inch

Options	Weight (Lb)
104 one tap hole, center	70.4 Lb
107 two tap holes	70.4 Lb
109 without tap hole	70.4 Lb
136 three tap holes US/CAN, 8 inch spread	70.4 Lb

#### Colours and finishes

000 White

#### Specification text

Double Washbasin Console LIVING SQUARE  
 Fine Fireclay  
 Inside dimensions: 35 7/16" x 11 10/16"  
 Meets or exceeds the following:  
 ASME A112.19.2, cUPC/IAPMO listed  
 Features:  
 Rectangular basin, wall mounted  
 With overflow slot, with tap bank  
 Overflow channel glazed  
 Limited 5 year warranty

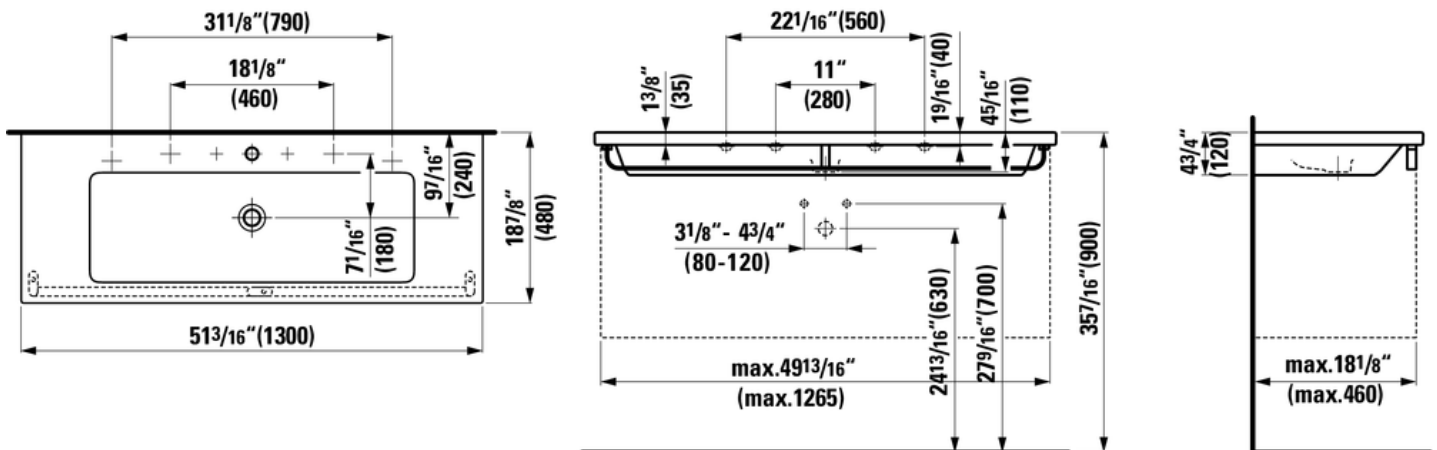
#### Mounting accessories excluded

Mounting set M 6/16" x 5 8/16" (M10 x 140 mm), part nr. 899882

#### Related products

381434 Towel holder, chromed, matching washbasins 816435, 816436  
 401312 Vanity unit, 2 drawers and 2 doors, with 2 glass shelves, incl. drawer organizer, matching washbasins 816435, 816436

#### Technical drawings



## LIVING



## LIVING



